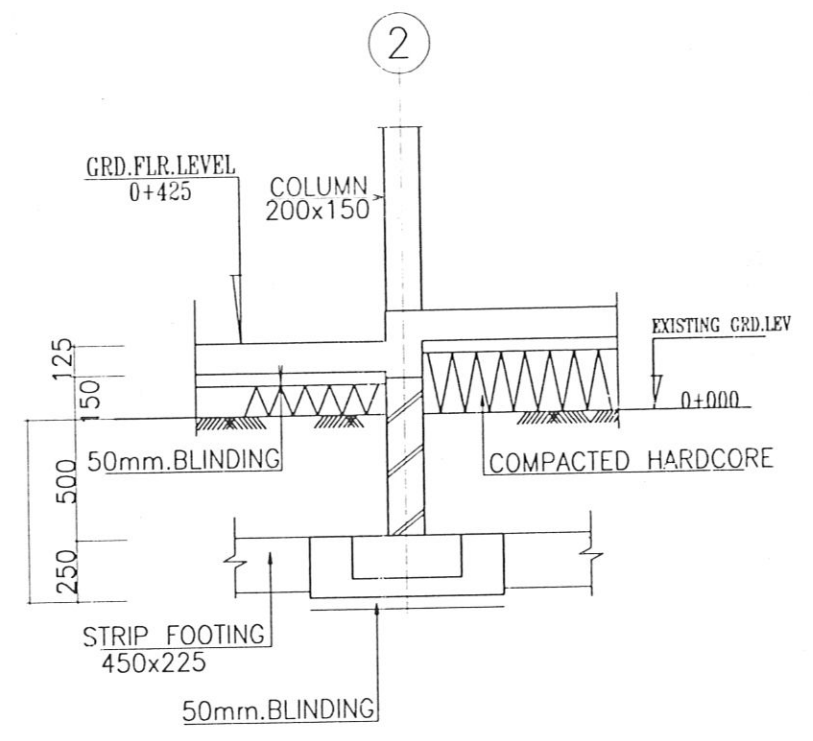


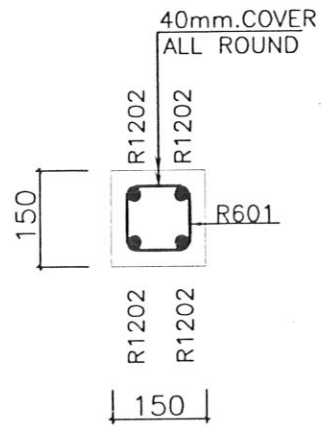
SECTION A - A



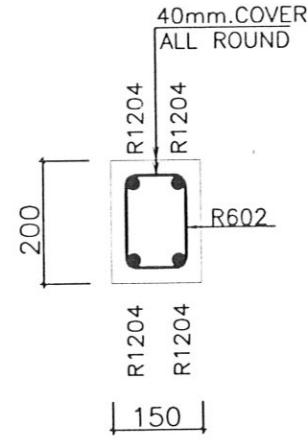
SECTION B - B

FOUNDATION PLAN

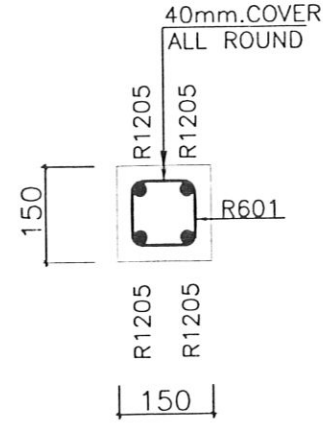
project:		6 UNIT CLASSROOM BLOCK WITH ANCILLARY FACILITIES	
client:		Joy Haven Foundation	
drawn:		FOUNDATION PLAN & FOOTING	
scale:	1: 100 & 1: 50	date:	MAR. 2019
drawn:	SAAC	checked:	S
file:			
job no:		sheet no:	S-02



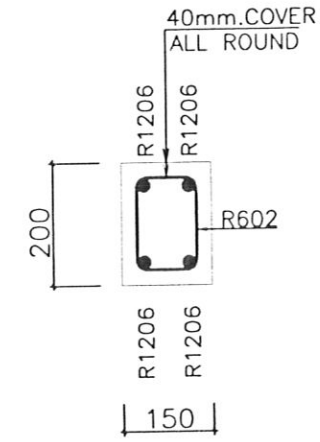
SECT. 1-1



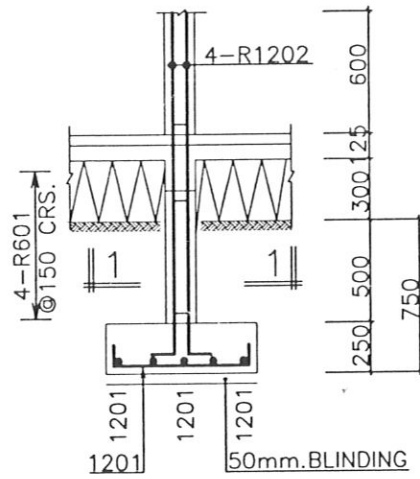
SECT. 2-2



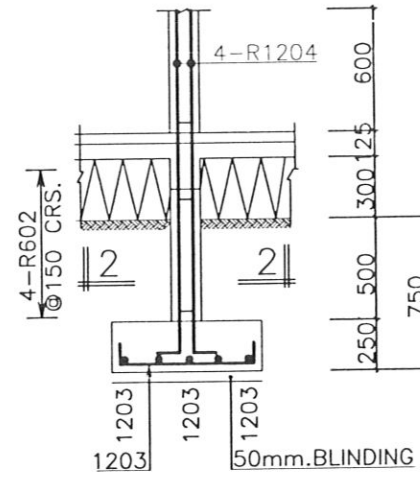
SECT. 3-3



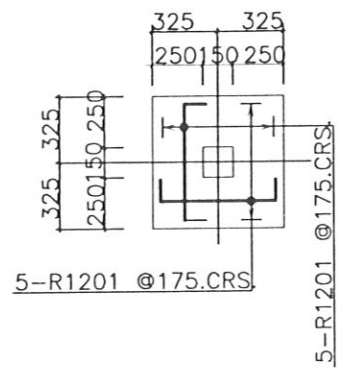
SECT. 4-4



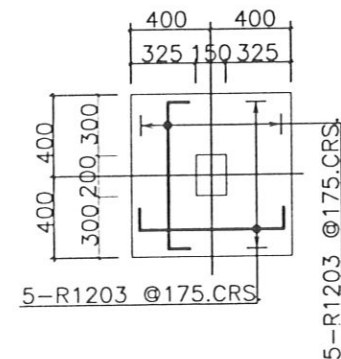
ELEVATION



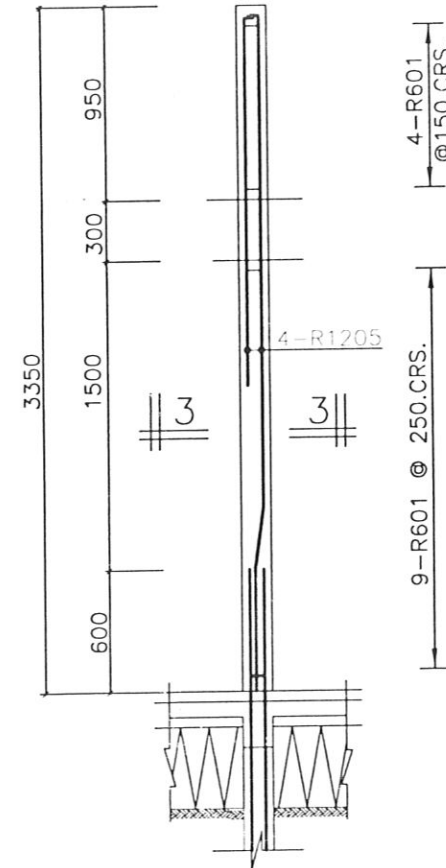
ELEVATION



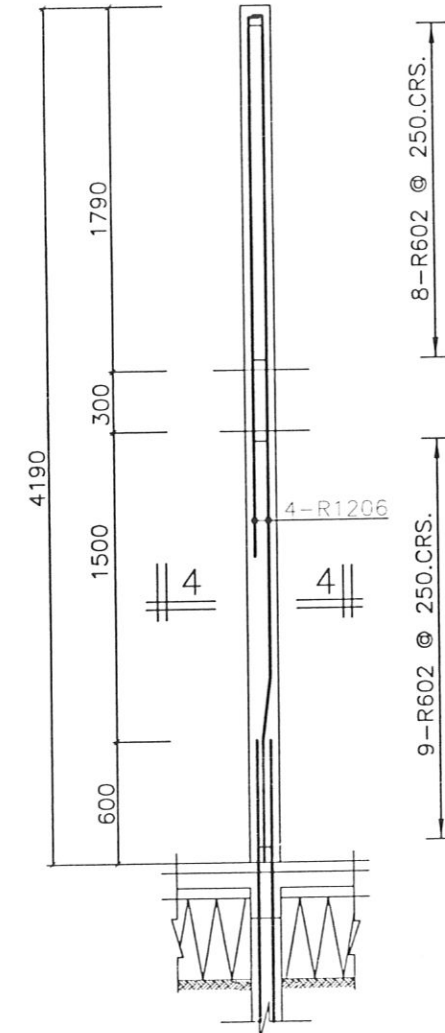
**COL.BASE TYPE B1
(16 NO.THUS)**



**COL.BASE TYPE B2
(30 NO.THUS)**



**COLUMN C1
(16 No THUS)**



**COLUMN C2
(30 No THUS)**

CLIENT: Joy Haven Foundation	
DRAWING: COL.BASE & COLUMNS DETAILS	
SCALE: 1: 100 & 1:50	DATE: MAR. 2019
DRAWN: ISAC L	CHECKED: J. S.
FILE:	
JOB NO:	SHEET NO: S-03